

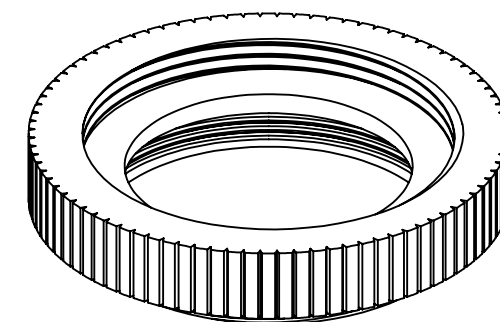
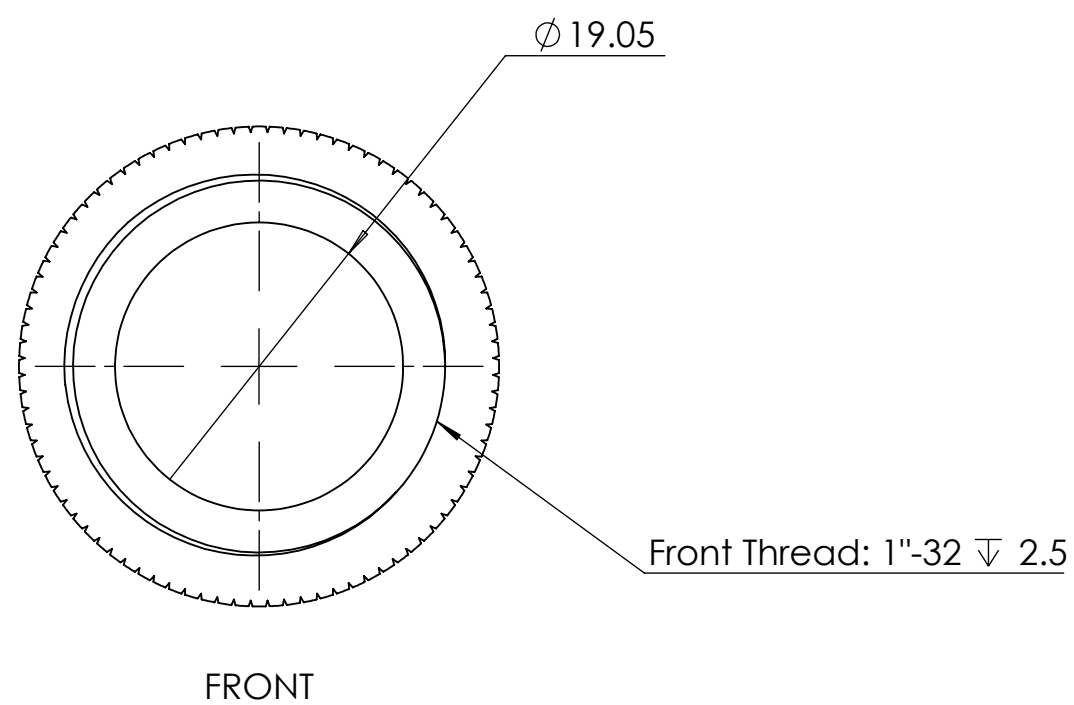
SECTION A-A



ND (Neutral Density) filter for use with most cameras. Includes cap with alignment target. Filter is mounted at 3° to axis.

ND value specified at 546 nm.

See <https://www.dataray.com/nd-filter.html> for additional information.



Part Number	Target ND @546nm	Target ND @675nm
ND-0.5	0.54	0.5
ND-1	1.17	1
ND-2	2.34	2
ND-3	3.51	3
ND-4	4.67	4
ND-5	5.84	5



THIRD ANGLE PROJECTION		NAME	DATE	DWG TITLE:	
	DRAWN	SM	210920	DataRay ND Filter	A2
	APPROVAL	LH	210920		
COPYRIGHT © 2017 BY DATARAY INC.			REV: 1	SCALE:2:1	SHEET 1 OF 1