



AngleMeter LA

Monitoring Laser Beam Deviations



- Analyzes angular directions ($\theta_x \theta_y$) of collimated beams
- Versatile - Measures Power and Angular incoming direction
- Optional: Complete test station with built-in Pan\Tilt Mechanics
- Extremely accurate
- Monitoring of moving optical devices, such as gimballed cameras and seekers
- Two versions: Wide Field of View 25 mm Focal Length & 50 mm Focal Length

Specifications

	PSD9 USB Analog lens 50 mm	PSD9 USB Analog lens 25 mm
Measurement range	180 x 180 mRad	360 x 360 mRad
Aperture	27 mm	17 mm
Sensor size (mm)	9 x 9 PSD	9 x 9 PSD
Angle resolution	30 μ Rad	75 μ Rad
Absolute angle accuracy	0.50%	0.50%
Power accuracy	\pm 5%	\pm 5%
Update rate	Analog - 30 kHz, Digital - 40 Hz, Burs - 4 kHz	30 kHz
Response time	> 60 μ sec	> 60 μ sec

Wavelength	select: 350-750 nm, 750-1100 nm
Power supply voltage	\pm 18V
Current consumption	\pm 200 mA
Laser Input Power Range	10 - 2500 μ W
Output range	Analog \pm 5V
Interface	USB 2.0 & Analog
Filter Size	55 mm

Ordering Information

PSD-USB-25 f1.4: The system consists of a sensor head with attached cable & ND-2 Filter (Optical Standard M55), an electronic box, a stabilized power supply, a software on a CD and a carrying case.

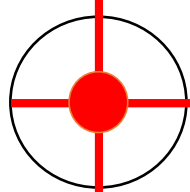
PSD-USB-50 f1.8: The system consists of a sensor head with attached cable & ND-2 Filter (Optical Standard M55), an electronic box, a stabilized power supply, a software on a CD and a carrying case.

DUMA OPTRONICS LTD.



海纳光学有限公司
HIGHLIGHT OPTICS CO., LTD.

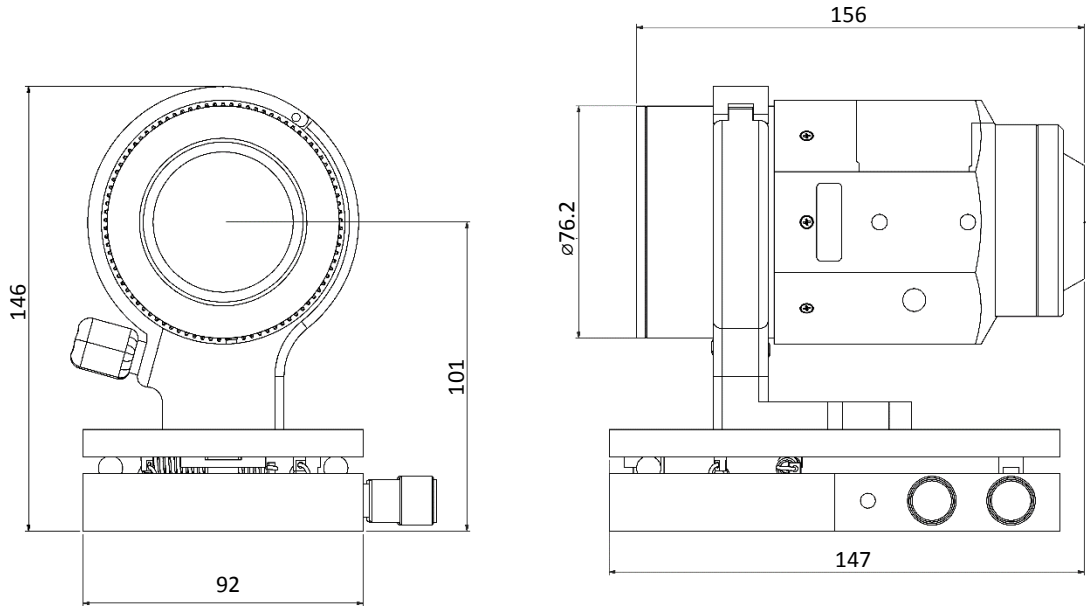
Tel: 0755-84870203 www.highlightoptics.com
E-mail: sales@highlightoptics.com



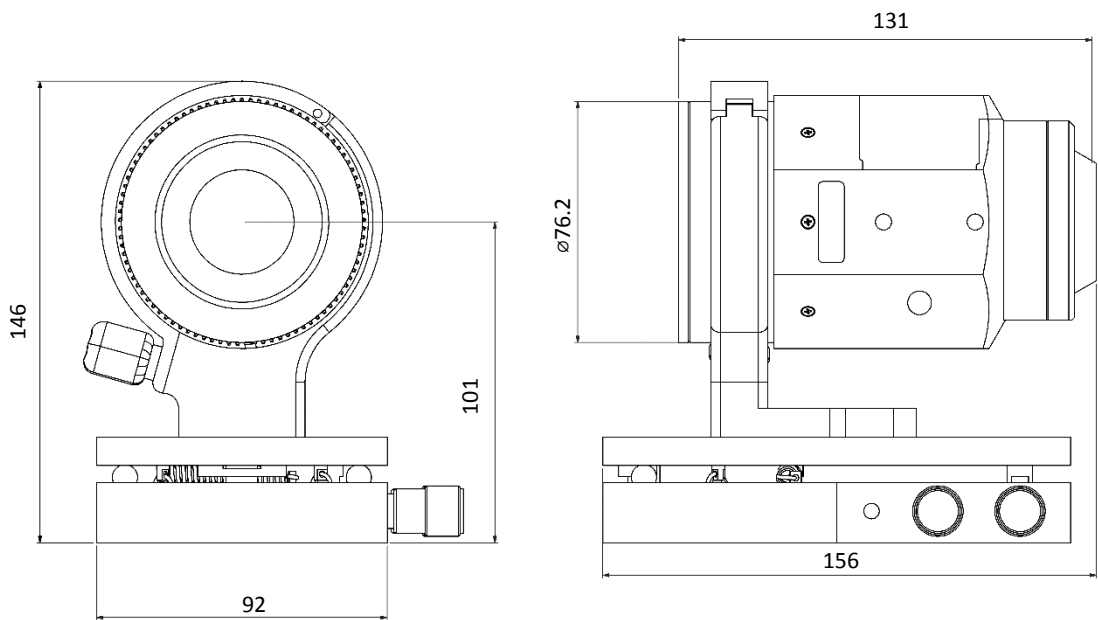
AngleMeter LA

Monitoring Laser Beam Deviations

Complete Test Station - 25 mm Model



Complete Test Station - 50 mm Model



Dimensions are in mm.

DUMA OPTRONICS LTD.



海纳光学有限公司
HIGHLIGHT OPTICS CO., LTD.

Tel: 0755-84870203 www.highlightoptics.com
E-mail: sales@highlightoptics.com

