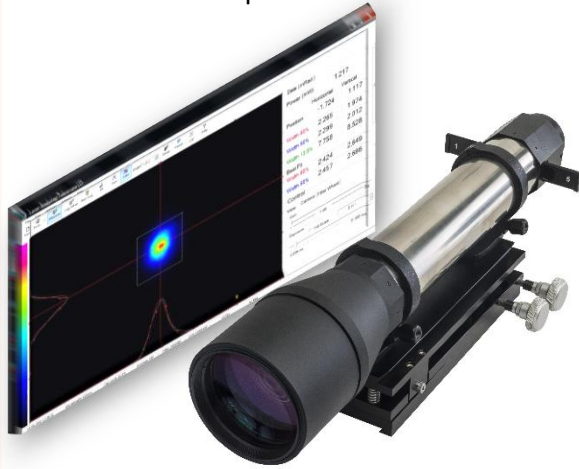


Laser Analyzing Telescope

Innovative Optical Laser Measurement Telescope for Angular Analysis



- Analyzes angular directions and collimation of light beams and lasers
- Versatile - Measures Profile, Power and Angular Position
- Complete test station with built-in Filter Slider
- Extremely accurate
- Built-in Pan\Tilt Mechanics
- Excellent for boresighting between several parallax lasers

Specifications

Laser Type	CW & Pulsed
FoV Telescope & Beam Profiler	20 mrad (H), 12 mrad (V)
Clear Aperture	100 mm
Beam Divergence Measurements	Down to 0.1 mRad or better
Min. Focusing Distance	Focused at Infinity
Built in coarse aiming Laser Pointer	638 nm power <1.0 mW Class 2 laser product, IEC60825-1
Beam width resolution	Better than 1 μ rad
Spectral Response	350 - 1150 nm (350-1600 nm available as a special order)
Resolution (H x V pixels)	1920 x 1200
Gain Control	x24
Dynamic Range	60 dB, 12 bit
Exposure Speed	39 μ sec to 20 sec
Frame Rate	40 fps (8 bit) 30 fps (12 bit)

Beam divergence accuracy	$\pm 2\%$
Position resolution of laser beam	Better than 1.5 μ rad
Pixel Size	5.86 μ m x 5.86 μ m
Pixel Bit Depth	8/12 bits
Background Subtraction	User activated
Trigger	<ul style="list-style-type: none"> • Internal Software • Hardware Falling or Rising Edge • Trigger Delay 0.015ms - 4.0 sec
Pan & Tilt knobs	Tilt $\pm 2^\circ$, Pan $\pm 2.5^\circ$
Power Requirements	~ 2 Watt (Via USB 3.0 interface)
Dimensions (L x W x H) in mm	x 172 x 197156
Weight (typical)	6.5 kg including cable
Min. Hardware Requirements	CPU i3 1.6 GHz, 4 GB RAM Min. Resolution 1366 x 766
Interface	USB 3.0, Windows 7/8/10 (32 & 64 bit)
Operating Temperature	0 $^\circ$ - 35 $^\circ$ C

Ordering Information

Model LAT-U3: A camera for 350 - 1600 nm with built-in filter slider, USB 3.0 cable, application software on CD/Flash Card, carrying case.

DUMA OPTRONICS LTD.

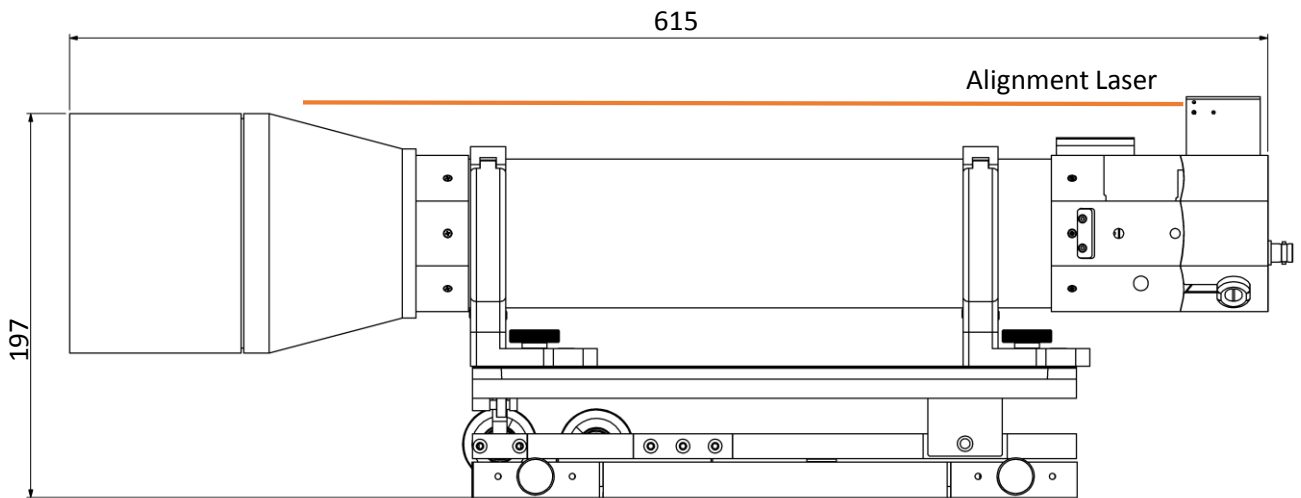
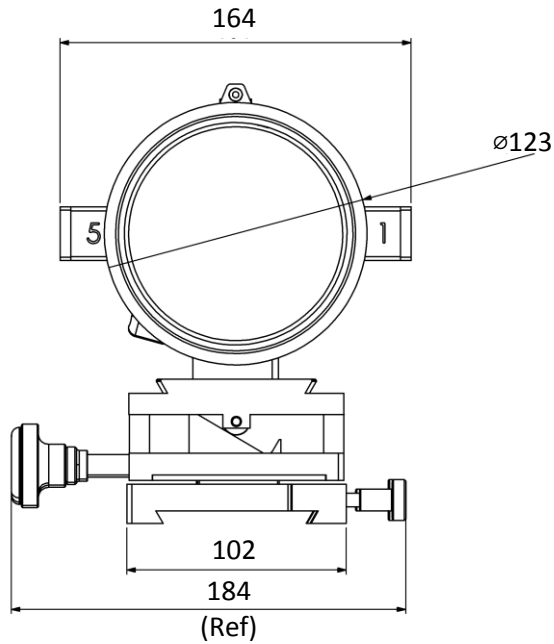


海纳光学有限公司
HIGHLIGHT OPTICS CO., LTD.

Tel: 0755-84870203 www.highlightoptics.com
E-mail: sales@highlightoptics.com

Laser Analyzing Telescope

Innovative Optical Laser Measurement Telescope for Angular Analysis



Dimensions are in mm.

DUMA OPTRONICS LTD.



海纳光学有限公司
HIGHLIGHT OPTICS CO., LTD.

Tel: 0755-84870203 www.highlightoptics.com
E-mail: sales@highlightoptics.com