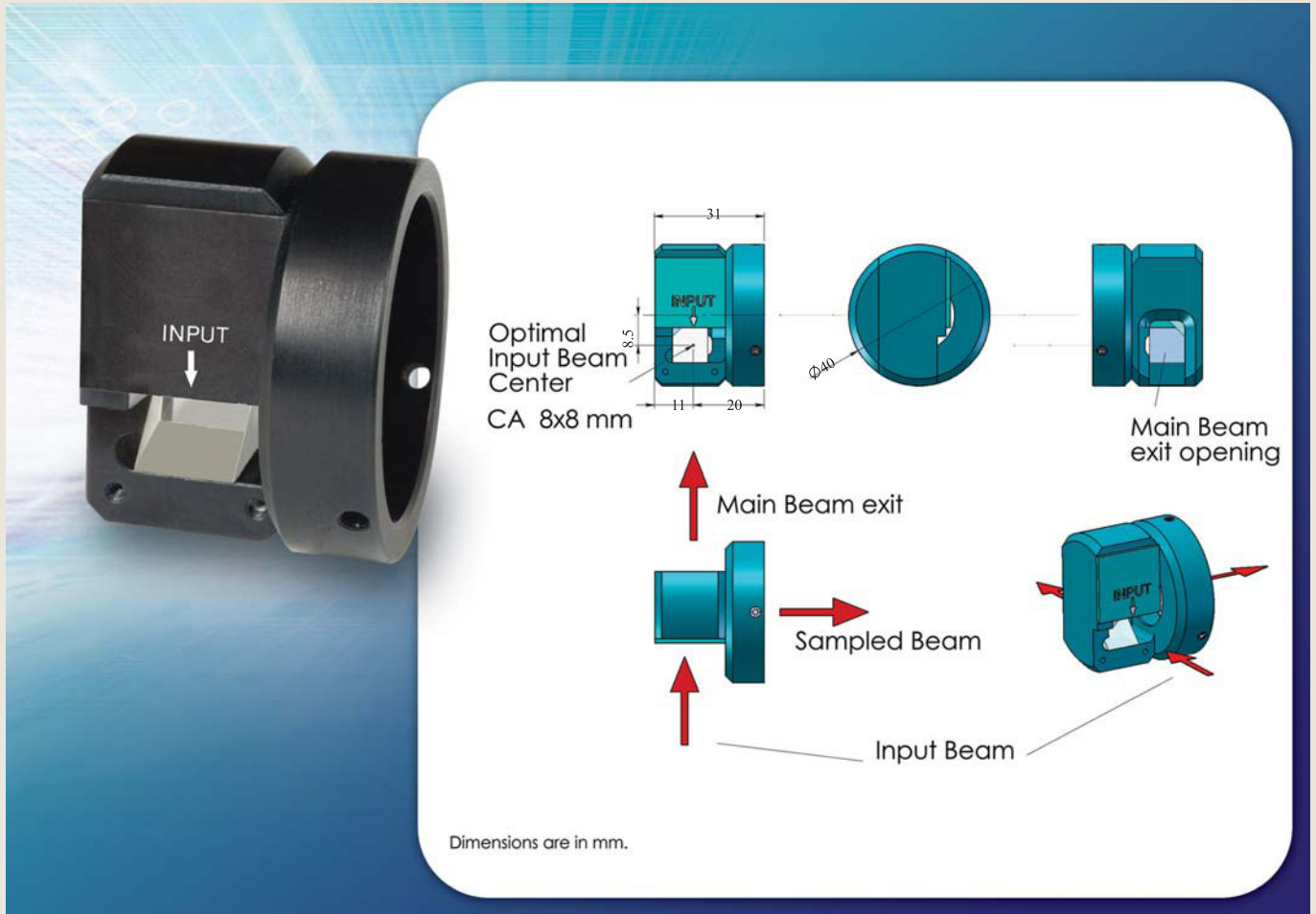


Reflective Beam Sampler



Polarization preserving beam sampler

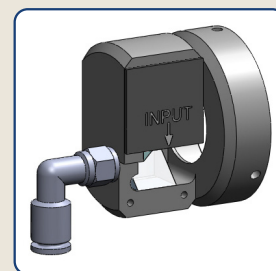
Duma Optronics offers a new reflective beam sampler for our line of high-accuracy, high-power Beam Profilers and Beam Positioning systems

The sophisticated optical beam sampler reflects the beam twice by two orthogonally oriented surfaces, each reflecting about 4% of the incoming beam.

The sampled beam retains the shape and polarization of the incoming beam, while reducing the beam total power.

This is a general-purpose attachment that can be used along with the following measuring heads:

- BeamOn
- BeamOn HR
- Beam Analyzer
- μ Beam
- SpotOn CCD



SAM3-HP



DUMA OPTRONICS LTD.



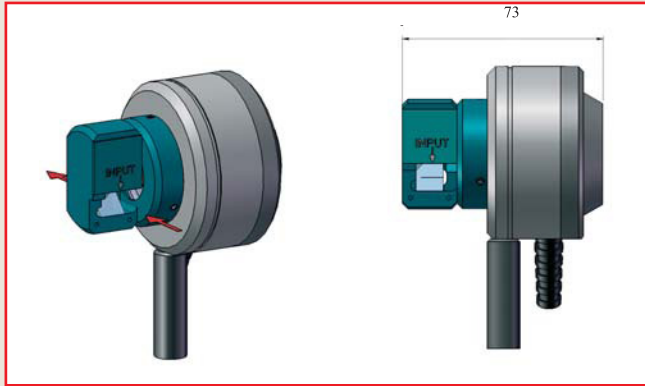
海纳光学有限公司
HIGHLIGHT OPTICS CO., LTD.

Tel: 0755-84870203 www.highlightoptics.com
E-mail: sales@highlightoptics.com

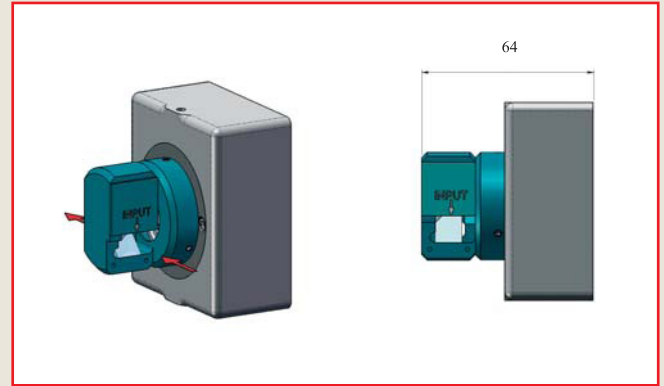


Possible mounting configurations

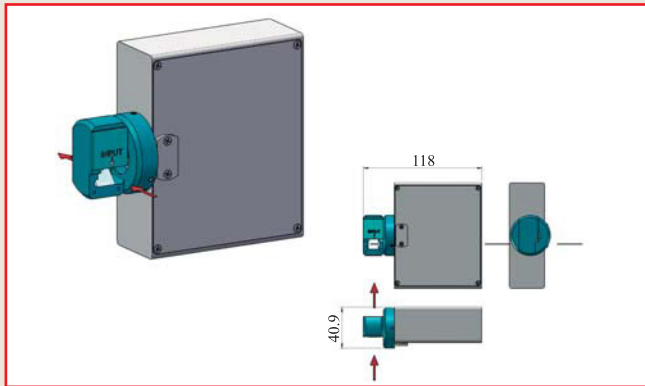
Applicable for both parallel beams and focused beams



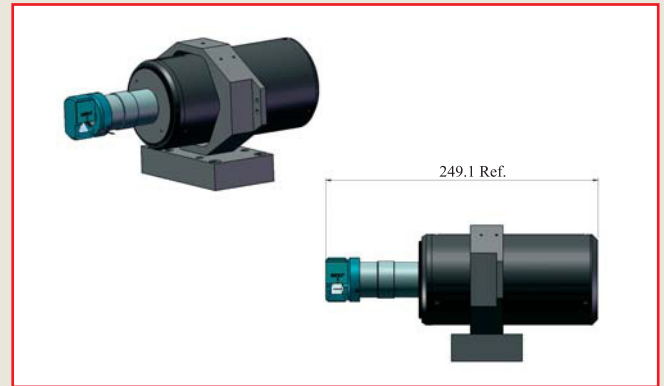
BeamOn / SpotOn CCD + SAM3



BeamOn HR + SAM3



Beam Analyzer + SAM3



μBeam + SAM3

* Dimensions are in mm



Specifications

| | SAM3 | SAM3-HP |
|---|---|--|
| Spectral range | | 250 - 2000 nm |
| Sampling reduction factor | 0.0016 Average | 1.1 X 10 ⁻⁵ |
| Dimensions | 40 mm dia. X 31mm length | |
| Weight | 40 Gram | |
| Clear Aperture | 8x8mm | |
| Minimum optical path from input to sampled surface | 25mm (depending on the specific model) | |
| Recommended Air pressure | — | 6-8 Bar |
| Recommended Air filtering | — | Particle removal down to 1μm including water and oil content |
| Recommended max N.A. | — | 0.2 |



Ordering Information

SAM3 - A : Attenuator and mounting adapter for BeamOn / BeamOn HR / SpotOn CCD

SAM3-HP-A : Attenuator and mounting adapter for BeamOn / BeamOn HR / SpotOn CCD for High Power beams

SAM3 - B : Attenuator and mounting adapter for Beam Analyzer

SAM3-HP-B : Attenuator and mounting adapter for Beam Analyzer for High Power beams

SAM3 : Attenuator for μBeam

SAM3-HP : Attenuator for μBeam for High Power beams



DUMA OPTRONICS LTD.



海纳光学有限公司
HIGHLIGHT OPTICS CO., LTD.

Tel: 0755-84870203 www.highlightoptics.com
E-mail: sales@highlightoptics.com