



PS3J100 Control Centre

Interactive multifunctional manual controller for the ProScan™
Microscope Automation System

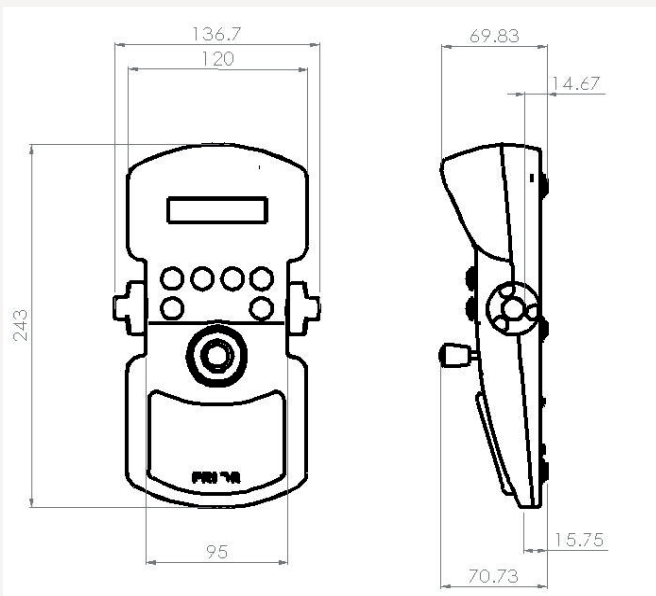


This manual controller allows easy, precise and comfortable control of multiple components of any ProScan™ system thanks to its ergonomic yet simple design.

In addition to being able to control a stage, focus, shutters, filters and an illumination source, it also provides information about these components - giving the operator enough data to allow even more accurate and flexible control over their system. With speed control as well as fast movement of the Z focus possible the rate of movement can be changed to exactly match your requirements.

Configurable for OEM or B2B solutions, this controller offers fine control for getting the best out of the most precise instruments, and its small footprint saves precious laboratory space.

Dimensions



- Measurement function
- Positional feedback on all axis
- Automatic detection of accessories and configuration of display systems
- Access to setting of controller
- Filter wheel position naming (e.g. DAPI or FITC)
- X and Y can be controlled by either joystick or wheels
- Fast up/down Z focus buttons
- Speed control of joystick and focus
- Can be incorporated into OEM and B2B applications
- Ergonomic and easy to use



Prior Scientific Ltd

3-4 Fielding Industrial Estate • Wilbraham Road • Fulbourn • Cambridge • CB21 5ET • UK
t: +44 (0)1223 881711 • e: uksales@prior.com • www.prior-scientific.co.uk



FM 61600



Prior Scientific Inc

80 Reservoir Park Drive • Rockland • MA. 02370 • U.S.A.
t: +1 781-878-8442 • e: info@prior.com • www.prior-us.com

Registered Address: Units 3/4 Fielding Industrial Estate • Wilbraham Road • Fulbourn • Cambridge • CB21 5ET • United Kingdom Registered in England 404087



海纳光学有限公司
HIGHLIGHT OPTICS CO., LTD.

Tel: 0755-84870203 www.highlightoptics.com
E-mail: sales@highlightoptics.com