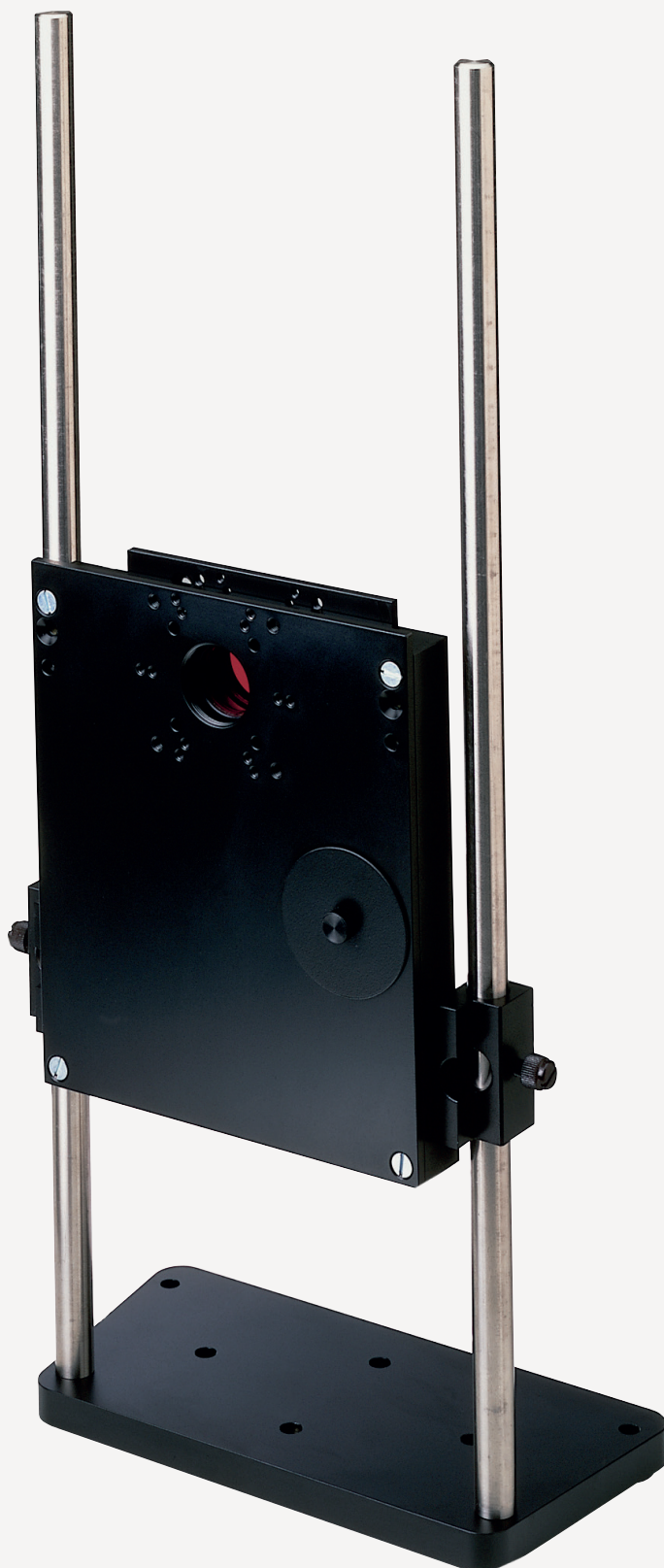


## Motorised Filter Wheels High Speed Filter Wheel



Prior's range of filter wheels allow precise and rapid control over illumination.

The Filter Wheel System can be used as a stand alone unit with the ProScan® controller or used in conjunction with the motorised stage and focus system. The components are adaptable to a wide range of microscopes and illuminators and as such are suitable for a wide range of applications.

- Mounts on the illumination or emission ports of many widely used microscopes.
- Available for 25 mm (10 position) or 32 mm (8 or 10 position) filters.
- A large selection of adapters to fit most illuminators.
- Filter wheels can be stacked together in series.
- Magnetic covers over the filter load position on both sides of the Filter Wheel give easy access to quickly change filters.
- Visible filter position numbers for both the light path filter and the load position filter.
- Filter wheel stand for added stability.

## Motorised Filter Wheels

High Speed Filter Wheel

### Products Available

Product	Description
HF106A	Filter wheel 6 pos./25 mm filters
HF110	Filter wheel 10 pos./25 mm
HF108	Filter wheel 8 pos./32 mm
HF206	Dual slide in filter holder 32 mm
HF110/32A	Filter Wheel 10 pos./32 mm filters

Note that adapters are required for specific microscopes. Please contact Prior Scientific for more information.

### General Specifications

#### Filter Wheels:

10 position, 25 mm filters  
OR 8 position, 32 mm filters  
OR 10 position, 32 mm filters.

#### Filter Wheel Speed:

55 ms between adjacent positions on the HF110 or HF108  
95 ms between adjacent positions on the HF110/32A.

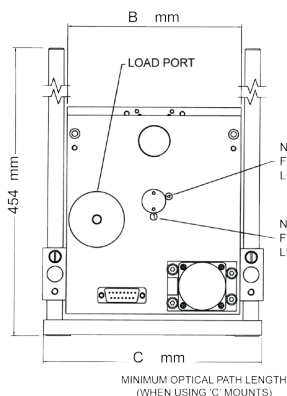
#### Filter Wheel Weight:

3.2 kg for HF110 or HF108

#### Controller:

Driven via ProScan® system

### Dimensions



#### HF110/HF108

'A' - Maximum on stand 540 mm

'A' - Minimum on stand 34 mm

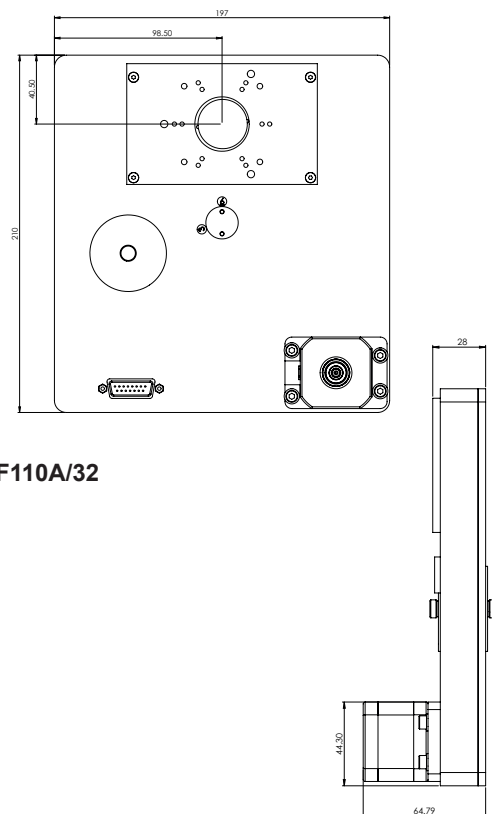
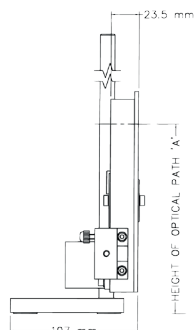
'A' - Minimum off stand 28 mm

'B' - for HF110 - 141 mm

'B' - for HF108 - 159 mm

'C' - for HF110 - 179 mm

'C' - for HF108 - 15 mm



#### HF110A/32



Prior Scientific Ltd

3-4 Fielding Industrial Estate • Wilbraham Road • Fulbourn • Cambridge • CB21 5ET • UK

t: +44 (0)1223 881711 • e: uksales@prior.com • www.prior-scientific.co.uk



FM 61500



Prior Scientific Inc

80 Reservoir Park Drive • Rockland • MA. 02370 • U.S.A.

t: +1 781-878-8442 • e: info@prior.com • www.prior-us.com

Registered Address: Units 3/4 Fielding Industrial Estate • Wilbraham Road • Fulbourn • Cambridge • CB21 5ET • United Kingdom Registered in England 404087



海纳光学有限公司  
HIGHLIGHT OPTICS CO., LTD.

Tel: 0755-84870203 www.highlightoptics.com  
E-mail: sales@highlightoptics.com