

Scanning Stage SCAN IM 130 × 100 for Zeiss Axio Observer

Specifications

Travel range	max. 130 × 100 mm
Max. travel speed	max. 120 mm/s (with 2 mm ball screw pitch)
Repeatability	< 1 µm ¹ (bi-directional)
Accuracy	±3 µm ¹
Resolution	0.01 µm (smallest step size)
Orthogonality	< 10 arcsec
Motor type	2-phase stepper motor
Limit switches	wear-free Hall sensors
Material / surface	aluminium / anodic coating, black lacquered
Weight	ca. 4.2 kg

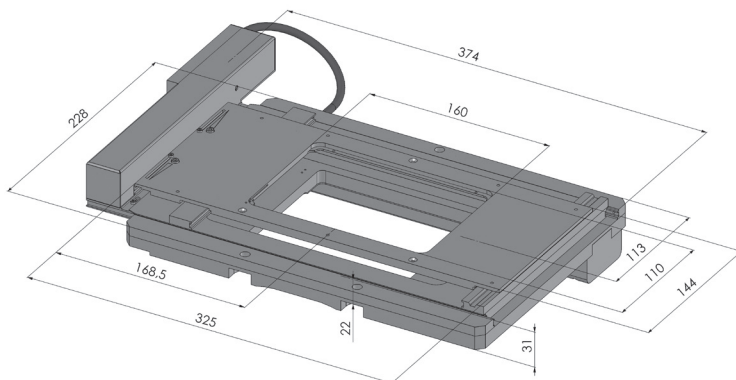
Order Information

Order No.: 90-24-550-0000
(2 mm ball screw pitch)

Product Features

- ▶ continuously adjustable travel range limitation
- ▶ stationary and permanently mounted connecting cable (2 m) between scanning stage and controller
- ▶ integrated electronic stage identification device ETS for automatic identification of the scanning stage and parametrization of the controller
- ▶ compatible with all Axio Observer standard objectives
- ▶ compatible with „Definite Focus“
- ▶ **5 years guarantee**, if the scanning stage is operated in the system with the Märzhäuser TANGO controller

Dimensions



Accessories

Stage insert for 1 slide 3" × 1"
(included in delivery)
Order No.: 00-29-411-8010

Piezo Z-stage Order No.: 00-55-550-0800

Various stage inserts
with dimensions 160 × 110 × 8 mm