

Motorized Microscope Stage EK 75 x 50 Pilot with Integrated Controller

Specifications

| | |
|--------------------|---|
| Travel range | max. 76 x 52 mm (3" x 2") |
| Travel speed | max. 120 mm/s |
| Repeatability | < 1 µm (bi-directional, measured according to VDI/DGQ 3441) |
| Accuracy | +/-3 µm (measured according to VDI/DGQ 3441) |
| Resolution | 0.05 µm (smallest step size) |
| Orthogonality | < 10 arc sec |
| Motor | 2-phase stepper motor |
| Drive | X-axis: bowden cable, Y-axis: rack – pinion |
| Limit switches | integrated Hall sensors |
| Interfaces | PC: USB, HDI: HD D-Sub 15-pin socket |
| Material / Surface | aluminium / anodic coating, black lacquered |
| Worktop | CERASIST® coated |
| Weight | approx. 2.5 kg |

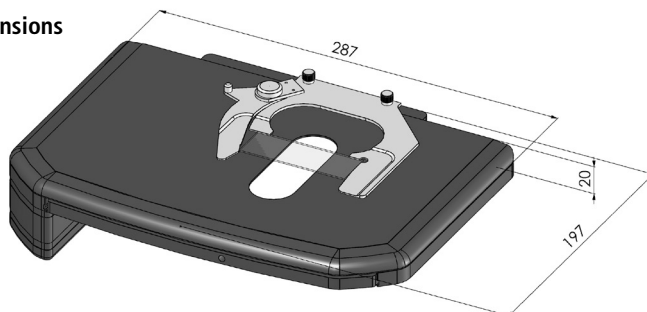
Order Information

Order No.: 00-27-352-0000
(without operating device)

Product Features

- ▶ compact, integrated TANGO controller
- ▶ integrated linear measuring systems for highest accuracy
- ▶ **Single Cable Solution:** communication between stage and controller plus electricity supply, all in one single, flexible cable
- ▶ **Multi Adaption:** stage adapts quickly and easily to almost all current microscopes
- ▶ **One-Handed Operation:** slide can be inserted into object holder using one hand only
- ▶ CERASIST® surface – free of wear
- ▶ HDI port for connection of Joystick or ERGODRIVE

Dimensions



Accessories

Object holder for 1 slide 76 x 26 mm
(included in delivery)

Order No.: 00-22-321-2000

2-Axes Joystick

Order No.: 00-76-200-0820

ERGODRIVE 2

Order No.: 00-27-322-1600