

MKR Series Datasheet



- Modular microscope core includes X-FCR motorized filter cube turret and X-LDA linear motor focus stage
- Innovative magnetic quick-change objective system allows the objective to be changed in seconds and supports any objective thread
- Filter cube turret accepts six Zeiss "push & click" style filter cubes
- Optional MJB junction block (sold separately) provides an additional optical path that joins the main optical path between the objective lens and the filter cube
- Use our simple Microscope Configurator to build up and order complete microscopes using these core modules

MKR Series Overview

MKR microscope cores consist of a motorized filter cube turret, linear motor focus stage and objective mounting bracket. They use an innovative magnetic counterbalance to offset the moving mass of the focus stage, leaving the full thrust available to provide lightning fast focus steps. A magnetic quick-change objective system allows manual objective changes in seconds and supports any objective thread.

MKR microscopes cores are compatible with X-MOR-E motorized objective turrets.

An optional MJB junction block (sold separately) introduces an additional optical path between the X-FCR filter cube turret and the objective lens. In order to accommodate the MJB25, the MKR025B raises the objective by 35 mm relative to its standard location. The additional distance between the objective lens and tube lens may result in vignetting (reduced intensity near the periphery of the image) when high N.A. (0.80 or greater) objective lenses are used.

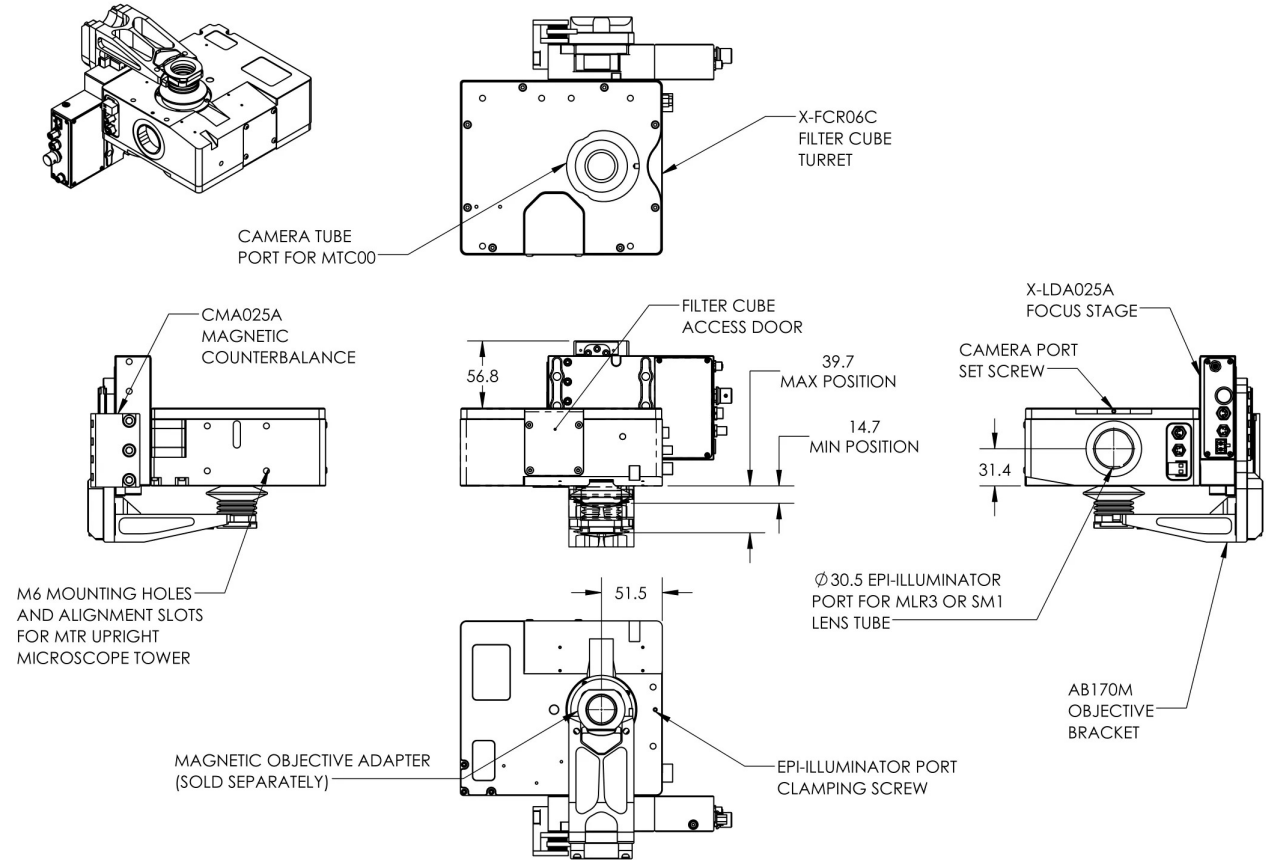
As part of Zaber's modular microscope platform, these microscope cores can be combined with different XY stages, camera tubes, illuminators and frame brackets to build up complete high performance automated microscopes. Our easy to use Microscope Configurator can walk you through the process of selecting the right modules and functionality for your application.

For more information visit: <https://www.zaber.com/products/microscopes/MKR>

MKR Series Drawings

ZABER

MKR025C - UPRIGHT MICROSCOPE CORE
 dimensions in mm



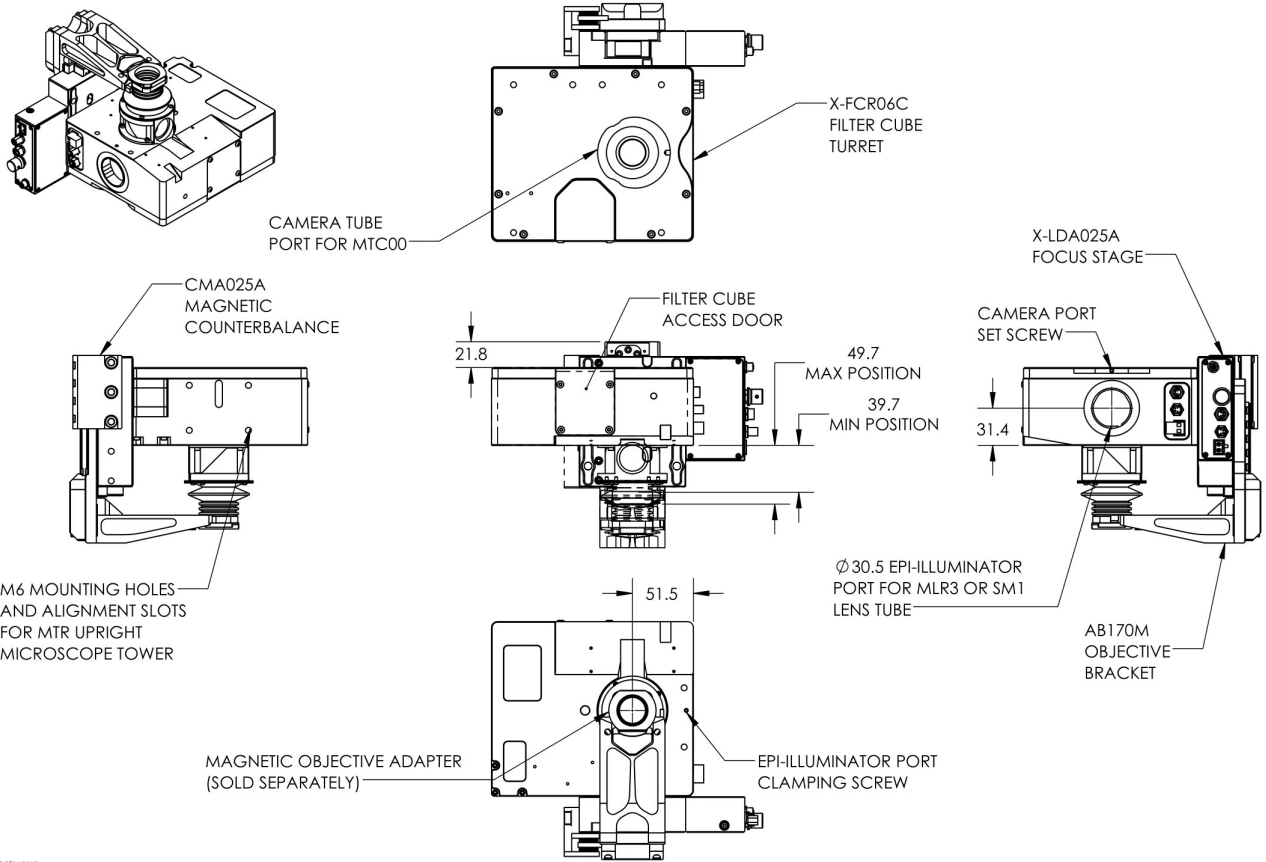
DWG-3714-R01E

ZABER

MKR025D - UPRIGHT MICROSCOPE CORE WITH ADDITIONAL INFINITY SPACE

SHOWN WITH MJB25 JUNCTION BLOCK (SOLD SEPARATELY)

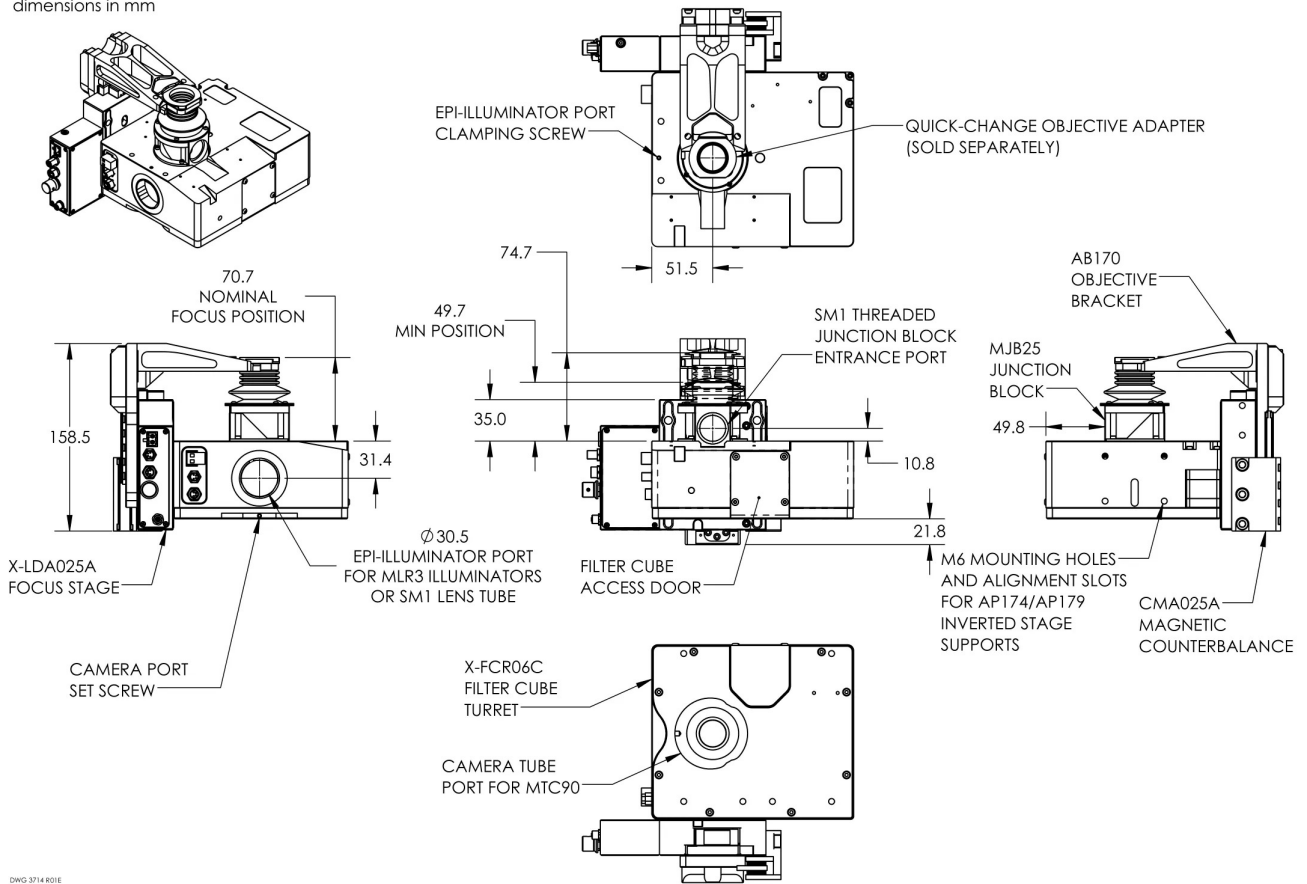
dimensions in mm



DWG-3714-R01E

ZABER

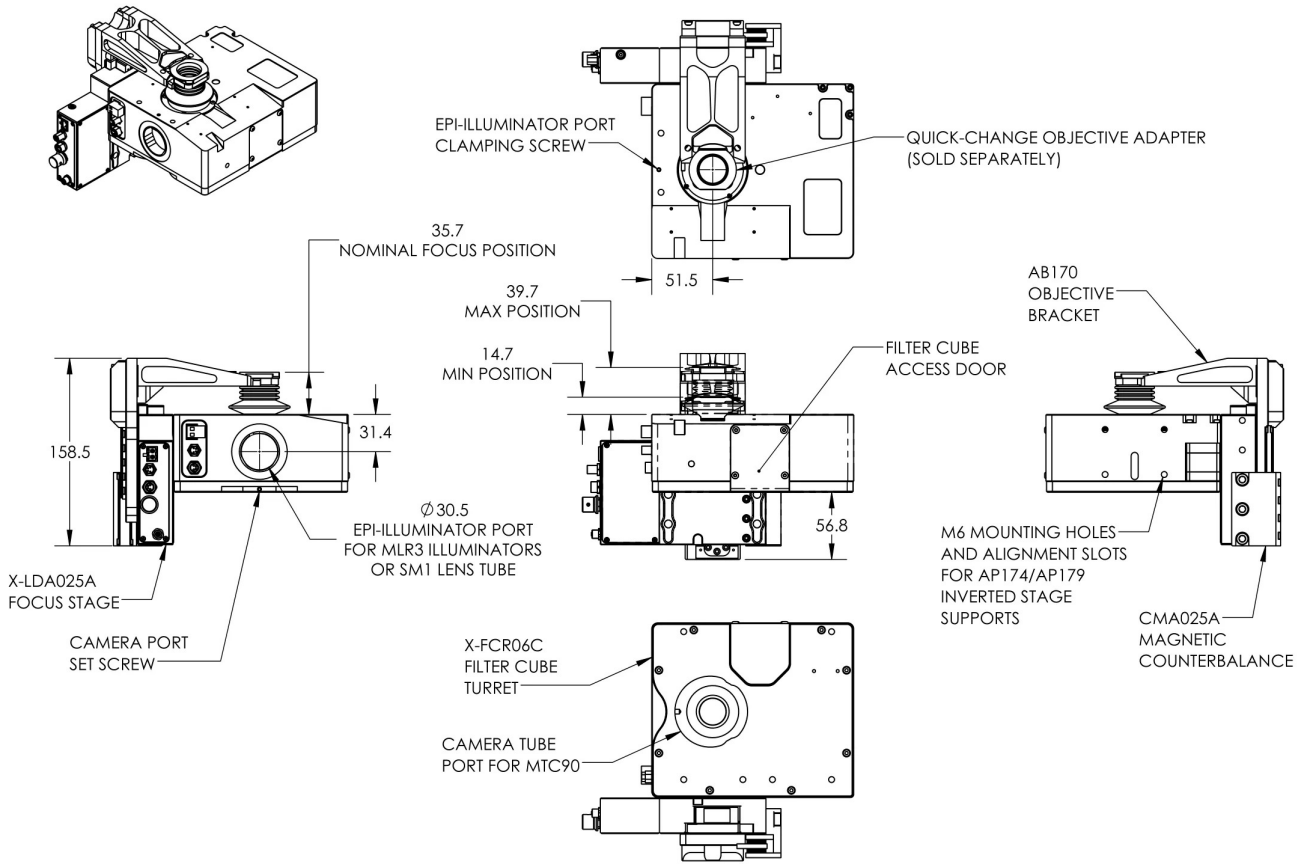
MKRO25B - INVERTED MICROSCOPE CORE WITH ADDITIONAL INFINITY SPACE
 SHOWN WITH MJB25 JUNCTION BLOCK (SOLD SEPARATELY)
 dimensions in mm



DWG 3714 R01E

ZABER

MKR025A - INVERTED MICROSCOPE CORE
 dimensions in mm



DWG-3714-R01E

MKR Series Specifications

Specification	Value	Alternate Unit
Communication Interface	RS-232	
Communication Protocol	Zaber ASCII	
Data Cable Connection	Locking 4-pin M8	
Compatible Optic Diameter	25	
Number of Optics	6	
Adjacent Optic Change Time	350 ms	
Power Supply	24-48 VDC	
Power Plug	2-pin screw terminal	
Maximum Current Draw	3300 mA	
Manual Control	Indexed knob with push switch	
LED Indicators	Yes	
Operating Temperature Range	0 to 40 °C	
RoHS Compliant	Yes	
CE Compliant	Yes	
Vacuum Compatible	No	
Weight	3.5 kg	7.716 lb

Contact

Email: contact@zaber.com

Phone (toll free Canada/USA): 1-888-276-8033

Phone (direct): 1-604-569-3780

Fax: 1-604-648-8033

Zaber Technologies Inc.

#2 - 605 West Kent Ave. N.

Vancouver, British Columbia

Canada, V6P 6T7

<https://www.zaber.com>