

Autofocusing Electronic Autocollimator



- A Precise USB3.0 device combining the functionality of an autocollimator with motorized feature for focusing at finite distances.
- High resolution of down to 0.01 arc sec or 0.05 μ rad, with clear aperture of 36 mm.
- Built-in computer controlled laser pointer for easy alignment.
- Built-in Pan & Tilt adjusting mechanics.
- Far Field & Near Field Optical Measurements

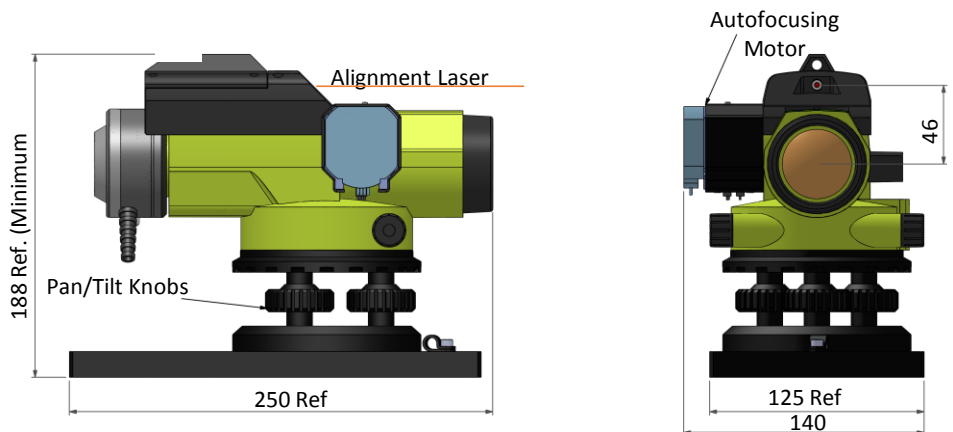
Specifications

Gain Control	12 dB
Shutter Speed	9 μ sec to 16 msec
FoV Autocollimator	$\pm 20'$ (V) x $\pm 25'$ (H)
FoV Telescope	$\pm 40'$ (V) x $\pm 50'$ (H)
Clear Aperture	36 mm
Resolution	0.01 sec
Accuracy	1.0 sec
Camera (Wide Spectral Range)	1.3 MegaPixels, 10 bit
Light Source	LED- 650, optional: 1060.

Retro-reflector for alignment	$\varnothing 64$ mm, N.W 280 g Thread $\varnothing 16$ mm, <5"
Line of Sight Retention as Function of Focusing	Better than +/- 2.5 seconds
Min. Focusing Distance	Less than 17.5 cm
Built in coarse aiming Laser Pointer	638 nm power <1.0 mW Class 2 laser product, IEC60825-1
Synchronization	•Software •Hardware (external trigger signal)
Interface	USB 3.0
Exposure Control	Programmable via GUI
Housing Size (L x W x H) in mm	250 x 140 x 190
Power Requirements	~3.5 Watt (Via USB 3.0 interface)
Weight (typical)	3.2 kg including cable

Ordering Information

EAC-1012-19-FO: Complete system including a collimator unit with USB3.0 camera, focusing mechanism, software on Flash Drive and a retro-reflector for infinity adjustment.



Dimensions are in mm.

DUMA OPTRONICS LTD.



海纳光学

电话: 0755-84870203

网址: www.highlightoptics.com

June 2019