

# BeamOn LA U3 - E

UPGRADED

IPL (Intense Pulsed light) & Large Laser beams Beam Profiler



The BeamOn LA U3-E system is a beam diagnostics measurement system for real-time measurement of CW or Pulsed laser beams. It provides laser beam parameters, such as: beam width, shape, position, power, and intensity profiles. Software also provides report function for beam analysis settings and results.

## Specifications

<b>Spectral Response</b>	350 - 1150 nm
<b>Sensor Active area</b>	∅60 mm (∅55 mm calibrated)
<b>Resolution (H x V pixels)</b>	1936 x 1216
<b>Exposure</b>	32 μsec to 2 sec (By software)
<b>Beam Resolution</b>	Better than 100 μm
<b>Beam Accuracy</b>	±2%
<b>Damage threshold</b>	100 W/cm <sup>2</sup> (Contact factory for continuous operation and cooling accessory)
<b>Saturation</b>	100 W/cm <sup>2</sup> with ND1000 filter
<b>Sensitivity</b>	0.1 μW/cm <sup>2</sup> at 633nm (VIS-NIR)

<b>Cooling conditions</b>	Filtered pressurized air of 6-8 Bar
<b>Minimal beam size</b>	∅5 mm
<b>Frame Rate</b>	> 25 fps (AOI)
<b>Filter Slider Assembly</b>	Built-in 5xND filters on a slider
<b>Interface</b>	USB 3.0
<b>Pixel Bit Depth</b>	16 bits
<b>Synchronization</b>	•Software •Hardware (external trigger signal)
<b>Mounting</b>	Built-in
<b>Built-in slider filter</b>	ND8, ND64, ND200, ND400, ND1000
<b>Housing Size (L x W x H) in mm</b>	218 x 172 x 113
<b>Power Requirements</b>	~2 Watt (Via USB 3.0 interface)
<b>Weight (typical)</b>	1.1 kg with cable

The application program is compatible with Windows 7/8/10 OS (32 & 64 bit). For custom integration, an SDK package software is offered as standard.

## Ordering Information

The system comes with sensor head, a built-in filter slider with a set of 5xND filters, USB3.0 attachment, software and user manual on CD / Flash Drive, carrying case.

**BeamOn-LA-U3-E:** for spectral range 350-1150 nm

DUMA OPTRONICS LTD.



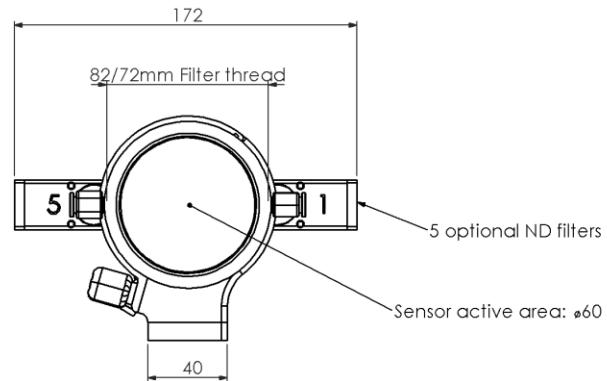
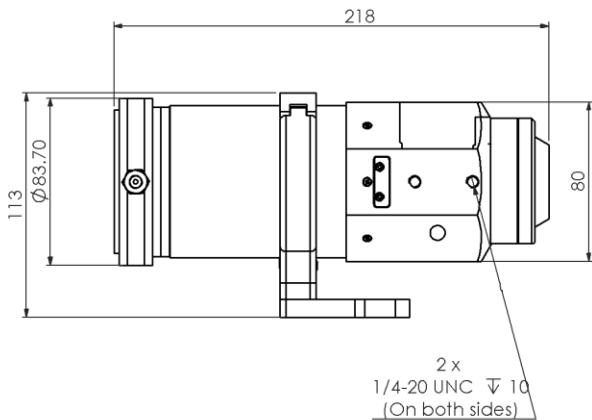
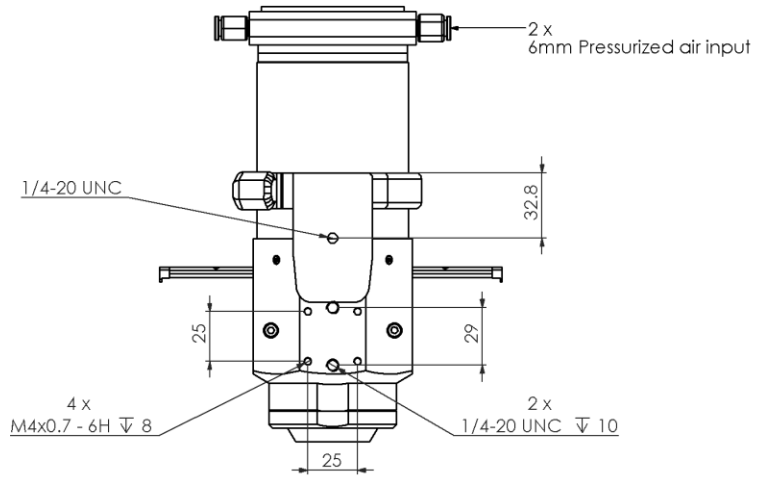
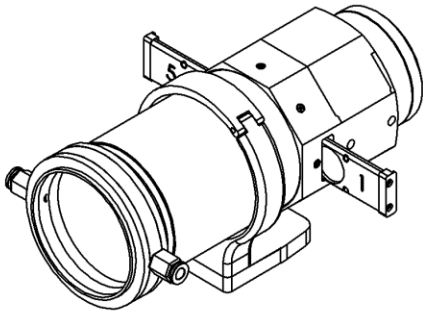
电话: 0755-84870203  
网址: www.highlightoptics.com

November 2022

# BeamOn LA U3 - E

UPGRADED

IPL (Intense Pulsed light) & Large Laser beams Beam Profiler  
with Air Cooling



Dimensions are in mm.

DUMA OPTRONICS LTD.



电话: 0755-84870203

网址: [www.highlightoptics.com](http://www.highlightoptics.com)

November 2022