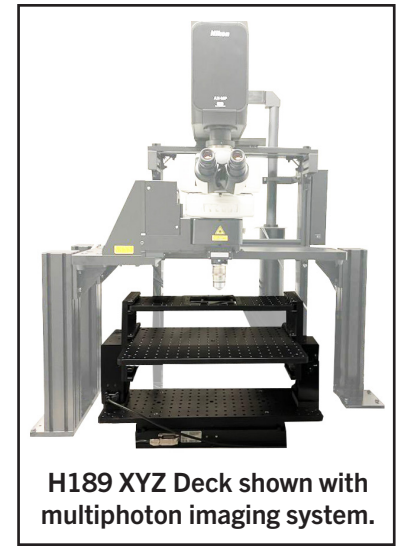


HIGH PRECISION MOTORIZED XYZ DECK

H189



Prior Scientific's new motorized XYZ DECK is the next generation of the DECK series by Prior. As a natural evolution from the original Z DECK, the new XYZ Deck is purposely designed to match the increased size and versatility of the latest generation of 2P/3P/Multiphoton/Confocal microscopy systems utilizing all the potential of the added sample space and microscope power of these new microscopes. Important features of the XYZ Deck include:

- Large removable metric breadboard is ideal for remote sample prep
- Sample height adjustable from 79.5mm to 410mm
- 50mm of motorized XY and Z travel
- Compatible with Queensgate Piezo Z models
- Ideal for large range of samples from whole animal in vivo studies to slides and petri dishes
- 100 kg XY stage capacity, 25kg Z axis lifting capacity
- Fast up/down control at the touch of a button
- Ideal for use with manipulators, probes or other sensory devices
- Includes DECK plate compatible with standard 160mm x 110mm Prior sample holders
- Compatible with most imaging software via the Prior ProScan III controller

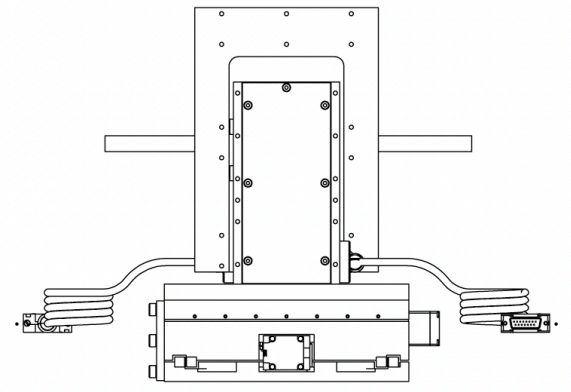
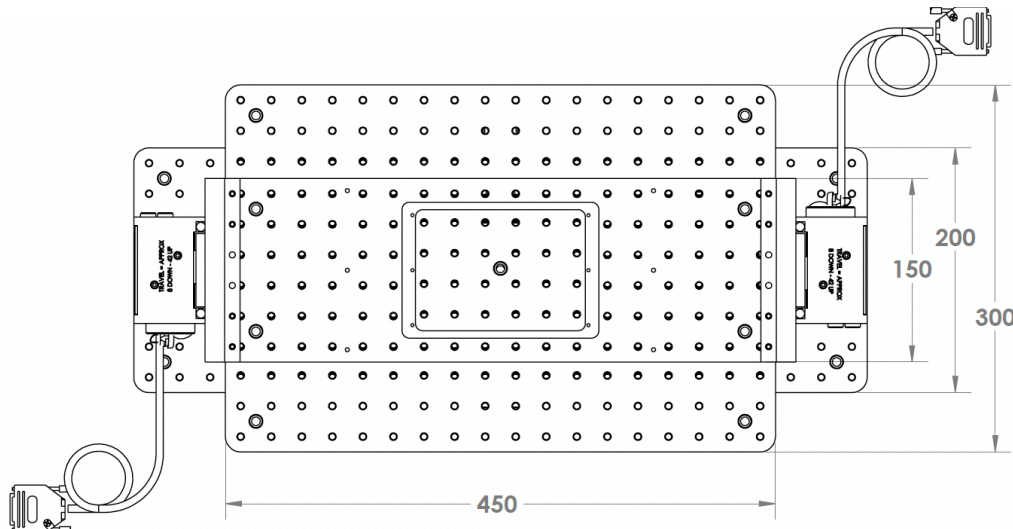
Key Features

- Shelves remove for easy sample prep
- 25kg load lifting capacity
- Can be used with Queensgate Piezo Z module
- Controlled by Prior's ProScan III controller
- Compatible with most imaging software

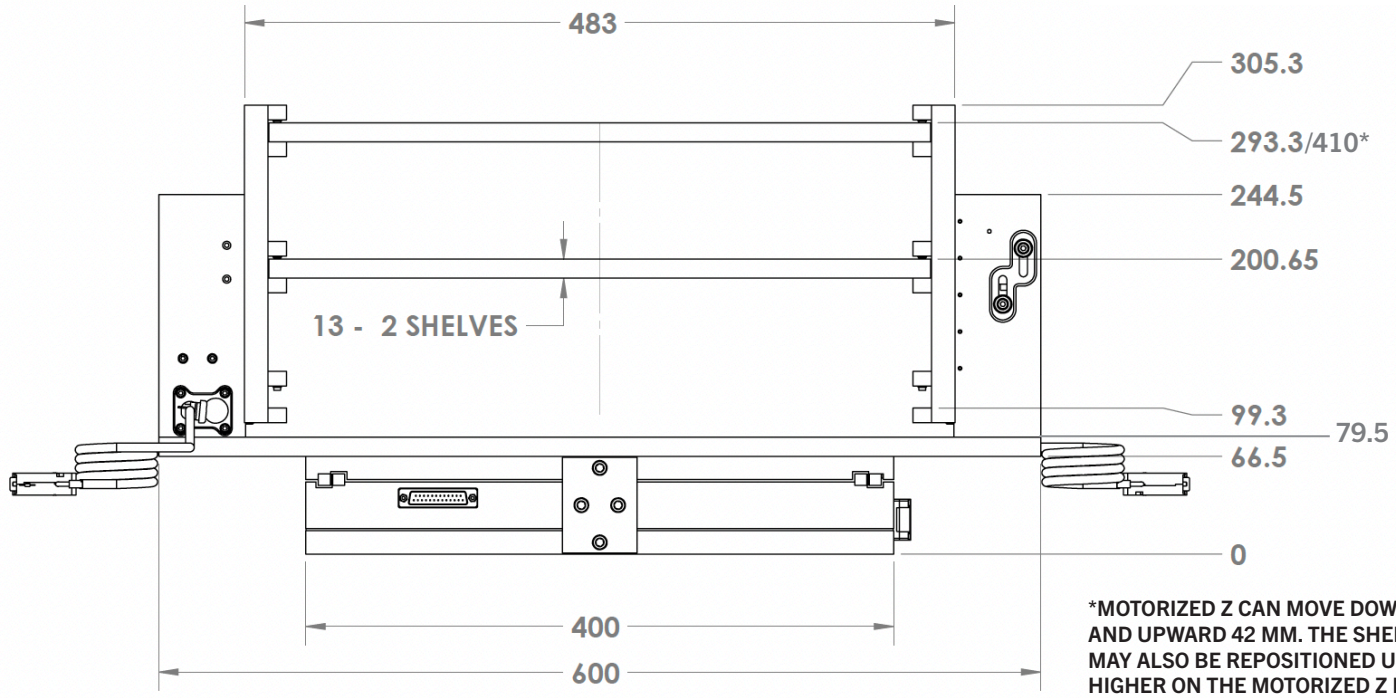
Applications

- Multi-photon confocal microscopy
- Two photon microscopy
- Live animal research

Technical Information



TRAVEL IN THIS AXIS IS + OR - 25MM SIDE TO SIDE



TRAVEL IN THIS AXIS IS + OR - 25MM SIDE TO SIDE

*MOTORIZED Z CAN MOVE DOWN 8MM, AND UPWARD 42 MM. THE SHELF UNITS MAY ALSO BE REPOSITIONED UP TO 75MM HIGHER ON THE MOTORIZED Z DRIVES. MAX TOP SURFACE OF 410MM.

UNITED KINGDOM
 Prior Scientific Instruments Ltd.
 Units 3-4 Fielding Industrial Estate
 Wilbraham Road, Fulbourn
 Cambridge, CB21 5ET
 United Kingdom
 Email: inquiries@prior.com
 Phone: +44 (0)1223 881711

GERMANY
 Prior Scientific Instruments GmbH
 Maria-Pawlowna-Str. 4
 D-07743, Jena, Germany
 Email: jena@prior.com
 Phone: +49 (0) 3641 24 20 10

CHINA
 Prior Scientific Instruments (Suzhou) Ltd.
 Room 1812, Honghai Building,
 72 Xingdu Street, Suzhou Industrial Park,
 Suzhou, 215000 China
 Email: info-china@prior.com
 Phone: +86 (0)512 6617 5866

U.S.A.
 Prior Scientific, Inc.
 80 Reservoir Park Drive
 Rockland, MA. 02370
 U.S.A.
 Email: info@prior.com
 Phone: +1 781.878.8442

JAPAN
 Kayabacho 3rd Nagaoka Bldg 10F,
 2-7-10, Nihonbashi Kayabacho, Chuo-Ku,
 Tokyo103-0025, Japan
 Email: info-japan@prior.com
 Phone: 03-5652-8831

