

BeamOn - TEC

Actively Cooled, high sensitivity



Introducing a next-gen cooled laser beam profiler with ultra-low noise, crisp resolution, and precise temperature control for unmatched measurement stability.

Innovative 8.3 MP (**11.2 x 6.3 mm**) Beam Profiler with enhanced sensitivity at NIR, exceeding 1350 nm



海纳光学 电话: 0755-84870203
邮箱: sales@highlightoptics.com

Key Features:

- **Broad Spectral Compatibility** - Works across a wide range of laser wavelengths.
- **Adjustable TEC Cooling** - Reduces dark current and thermal noise for high-precision measurements.
- **Real-Time Temperature Display** - Monitors sensor temperature live for stable operation.
- **Improved Signal-to-Noise** - Delivers cleaner data for CW and pulsed lasers.
- **Intuitive Software** - Provides full beam analysis: profile, width, shape, position, power and real-time high resolution sensor temperature measurements.

Specifications

Laser Type	CW & Pulsed
Beam width resolution	1 micron or better
Max. Resolution (H x V pixels)	3800 x 2200
Beam Size	ø30 µm - ø6 mm
Spectral Response	350 – 1300 nm (VIS NIR) Wavelength above 1300 – contact factory
Sensor Active Area (mm)	Diagonal 12.8 mm 11.2 x 6.3, sensor can be divided into multiple active areas, working in parallel for up to 400 sectors
Gain Control	Up to 600
Cooling Temperature	Adjustable to -20° C and beyond
Shutter Speed	Shutter - 32 µsec to 2 sec

Min. Pixel Size	2.9 µm x 2.9 µm
Exposure Control	Programmable via GUI
Accessories	-IR Edge Filter -C-Mount Filter
Power Supply	12V@3A
Housing Size in mm	ø80 (D) x 85 (H) mm
Weight (typical)	560 gr.
Min. Hardware Requirements	CPU i3 1.6 GHz, 4 GB RAM
Interface – USB 3.0	Windows 11
Mechanical Interface	Post mounting: M6 Optical attachments & filters: C-mount

Wavelength	633	980	1310
Saturation	20 µW/mm ²	100 µW/mm ²	0.2 W/mm ²
Sensitivity	Better than 1 nanoW/mm ²	Better than 1 nanoW/mm ²	20 µW/mm ²

Ordering Information

BEAMON-TEC: The system consists of a camera, cable, mounting post, carrying case, ND1000 Filter, software on a CD/Flash Drive.

Additional accessories:

IR Edge Filter: 2.5 thick, passing over 1100nm.
M42 to C-Mount: Adaptor for C-Mount threads

DUMA OPTRONICS LTD.

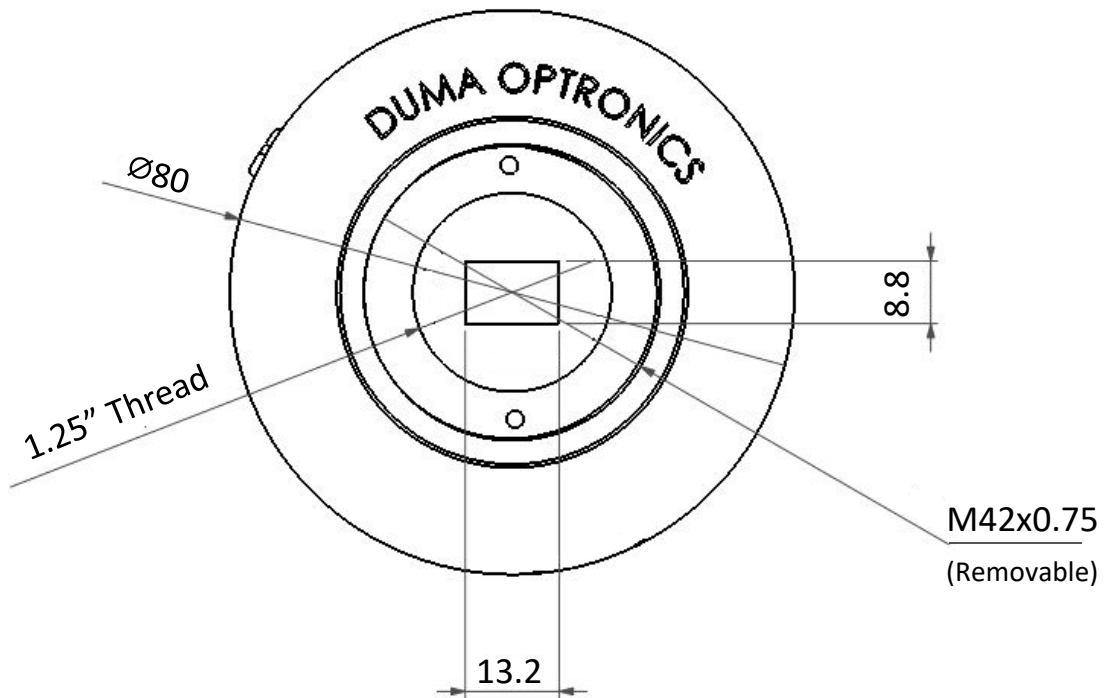
BeamOn - TEC



海纳光学

电话: 0755-84870203

邮箱: sales@highlightoptics.com



Dimensions are in mm.

Ordering Information

BEAMON-TEC: The system consists of a camera, cable, mounting post, carrying case, ND1000 Filter, software on a CD/Flash Drive.

Additional accessories:

IR Edge Filter: 2.5 thick, passing over 1100nm.

M42 to C-Mount: Adaptor for C-Mount threads

DUMA OPTRONICS LTD.